

Section 7

SPARE PARTS LIST

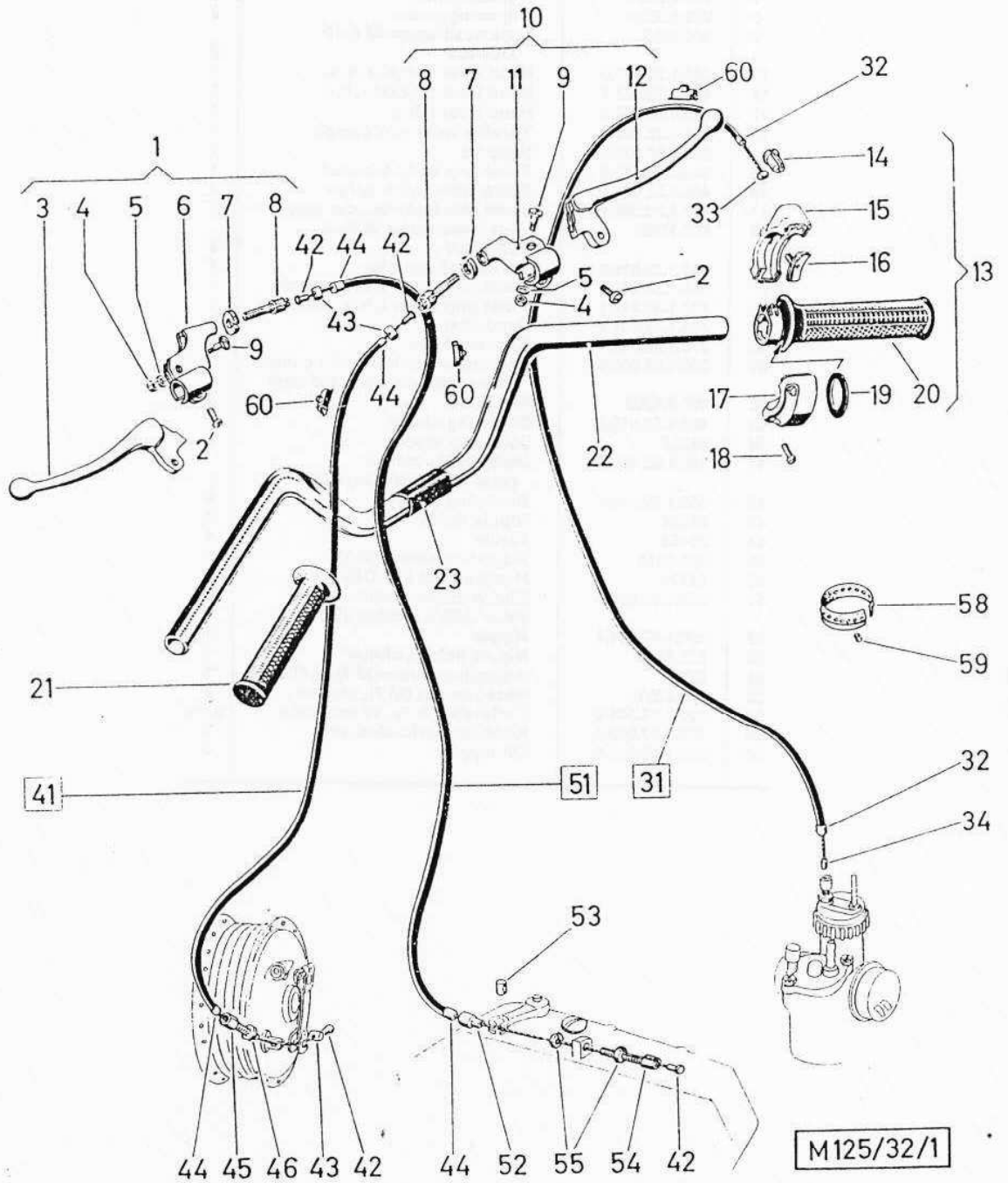
Table of Contents

ENGINE	①	CRANKCASE
	②	CYLINDER, ENGINE PARTS
	③	CLUTCH
	④	GEARBOX, STARTER MECHANISM
	⑤	GEARSHIFT
	⑥	CARBURETOR
CHASSIS	⑦	FUEL TANK, EXHAUST
	⑧	FRAME, INTAKE SILENCER, BOX, TWIN SEAT
	⑨	MUDGUARDS
	⑩	FOOT BRAKE, FOOT RESTS, PROP STAND
	⑪	PIVOTED FORK, PILLION FOOT RESTS
	⑫	SHOCK ABSORBER FOR REAR WHEEL
FRONT FORK	⑬	FRONT FORK WITH STEERING
	⑭	HANDLEBAR, BOWDEN CABLES
ROAD WHEELS	⑮	FRONT WHEEL WITH SPEEDOMETER DRIVE
	⑯	REAR WHEEL, DRIVING CHAIN
ELECTRICAL EQUIPMENT	⑰	GENERATOR, IGNITION COIL
	⑱	HEADLAMP, RATTLE, SPEEDOMETER TAIL STOP LIGHT AND SWITCH
ACCESSORIES	⑲	TOOLS, ACCESSORIES
	⑳	SPECIAL TOOLS

To convert millimeters to inches, multiply by 0,03937

VEHICLES ARE LAQUERED POPPY-RED — SILVER

14 HANDLEBAR, BOWDEN CABLES



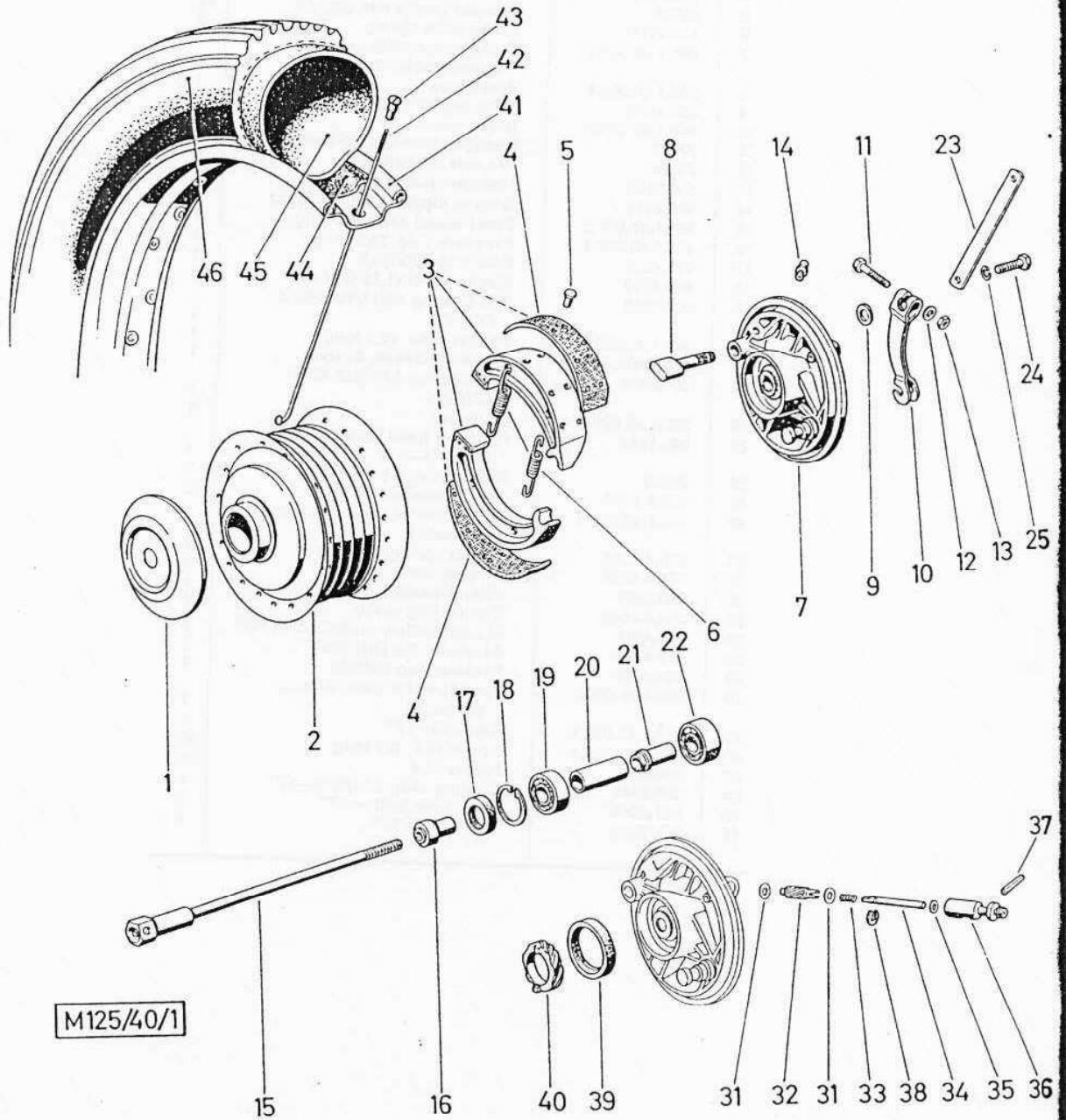
HANDLEBAR, BOWDEN CABLES

14

Ref. No.	Part No.	Description	Requd. No.
1	366.1.32.006.0	Hand lever compl. l. h. s.	1
2	050.3222	Lens head screw M 6x15	2
3	366.1.32.006.1	Hand lever l. h. s.	1
4	24773	Hexagon nut M 6 DIN 934	2
5	22804	Toothed disc J 6,4 DIN 6797	2
6	403.1.32.042.1	Hand lever bracket l. h. s.	1
7	253.2.3209	Adjusting nut	2
8	253.2.3208	Adjusting screw	2
9	900.1503	Lens head screw M 6x10 DIN 923	2
10	366.1.32.007.0	Hand lever compl. r. h. s.	1
11	403.1.32.021.1	Hand lever bracket r. h. s.	1
12	366.1.32.007.1	Hand lever r. h. s.	1
13	366.1.32.005.0	Throttle twist grip compl.	1
14	366.1.32.036.1	Support	1
15	366.1.32.132.0	Twist grip body-top part	1
16	403.1.32.034.2	Brake spring with screw	1
17	403.1.32.033.1	Twist grip body-bottom part	1
18	900.1526	Lens head screw M 5x15 DIN 920	2
19	403.1.32.035.1	Washer 43 mm dia.	1
20	366.1.32.031.1	Twist grip cover r. h. s. (black)	1
21	403.1.32.041.1	Twist grip cover l. h. s. (black)	1
22	366.1.32.001.1	Handlebar	1
23	270.1.30.003.1	Clamp rubber	1
31	366.1.65.000.0	Carburetor control cable compl. (wire 1065, covering 950 mm)	1
32	050.2.6203	Ferule	2
33	403.1.61.012.1	Soldering nipple	1
34	24385	Soldering nipple	1
41	366.1.63.000.0	Brake cable compl. (wire 1065/covering 870)	1
42	360.1.62.015.1	Soldering nipple	4
43	24384	Nipple holder	3
44	25483	Ferule	4
45	250.6010	Adjusting screw (M 7)	1
46	24774	Hexagon nut M 7 DIN 934	1
51	366.1.62.000.0	Clutch control cable compl. (wire 1070, covering 910)	1
52	330.1.62.004.1	Nipple	1
53	250.6208	Nipple holder, slotted	1
54	24254	Adjusting screw (M 7), slotted	1
55	250.6007	Hexagon nut (M 7), slotted	2
58	320.1.57.001.8	Perforated strip, 12 mm wide	p. m.
59	320.1.57.002.1	Knob for perforated strip	1
60	366.1.62.010.0	Oil nipple	3

15

FRONT WHEEL WITH SPEEDOMETER DRIVE

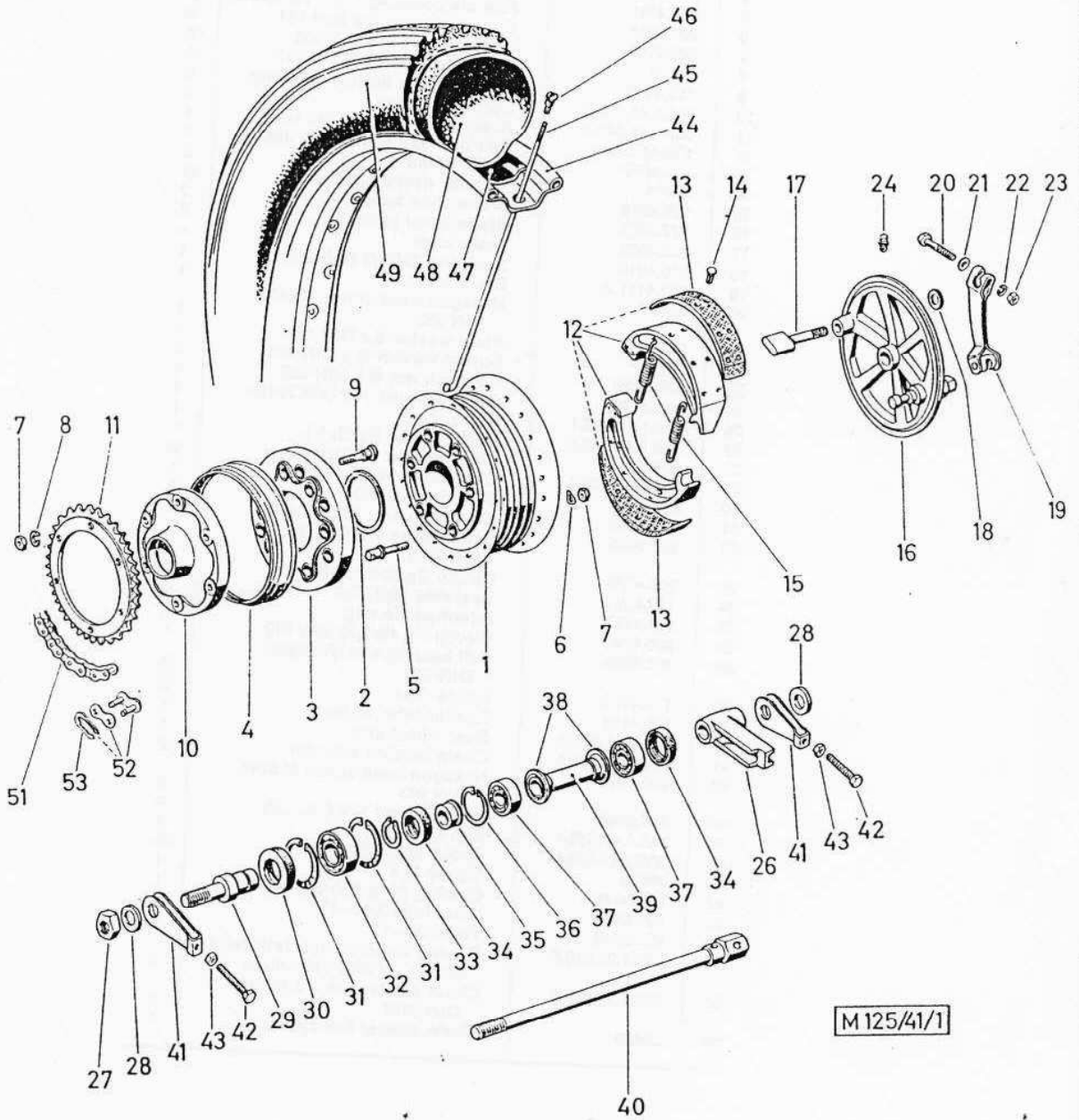


FRONT WHEEL WITH SPEEDOMETER DRIVE

15

Ref. No.	Part No.	Description	Requid. No.
—	366.1.40.000.0	Front wheel compl. (without tire)	1
—	366.1.40.002.0	Front wheel full hub compl. (with interior parts)	1
1	366.1.40.040.2	Side cover	1
2	366.1.40.003.1	Brake hub	1
3	175.4015.0	Pair of brake shoes with lining	1
4	175.4017	Brake lining	2
5	26814	Tubular rivet 3 mm dia. x 8	16
6	175.4119	Brake shoe spring	2
7	366.1.40.007.1	Brake cover plate (without speedometer drive)	1
8	366.1.40.009.1	Brake cam	1
9	250.4010	Seal ring 22/11/3 (rubber)	1
10	366.1.40.011.2	Brake lever	1
11	22872	Hexagon bolt M 6x30 DIN 931	1
12	24804	Washer 6,4 DIN 433	2
13	900.2106	Hexagon nut M 6 DIN 555	1
14	900.6177	Grease nipple A 6 DIN 71412	1
15	366.1.40.026.2	Front wheel axle, 198 long	1
16	366.1.40.028.1	Pressure ring, 25,5 long	1
17	175.4021	Seal ring 40/27/6,2	1
18	900.4740	Circlip Sg 40x1,75 DIN 472	1
19	900.6213	Ball bearing 40/17/12 6203 Z DIN 625	1
20	366.1.40.023.1	Spacer tube, 42,5 long	1
21	366.1.40.041.1	Pressure sleeve, 36 long	1
22	900.6203	Ball bearing 40/17/12 6203 DIN 625	1
23	366.1.40.025.1	Draw bar	1
24	900.1147	Hexagon head screw M 8x22 DIN 933—8 G	1
25	26819	Spring ring B 8 DIN 127	1
31	050.4.4065	Thrust washer 13/8/0,3	2
32	366.1.40.061.1	Speedometer gear, driving (14 teeth)	1
33	050.4.4068	Thrust spring, 14 long	1
34	050.4.4058	Driving shaft, 40 long	1
35	900.3961	Thrust washer 7,5/4/0,3	1
36	050.4.4063	Connecting piece	1
37	900.4815	Slotted hollow pin 5x25 DIN 1481	1
38	900.4603	Bz-circlip 3,2 DIN 6799	1
39	901.3818	Packing ring 62/48/8	1
40	366.1.40.060.1	Speedometer gear, driving (25 teeth)	1
41	366.1.41.033.1	Rim 1,60—17"	1
42	366.1.41.030.1	Spoke M 4, 129 long	36
43	26669	Nipple M 4	36
44	901.0845	Chafing strip 2,50/3,00—17"	1
45	901.0848	Inner tube 2,50 — 17"	1
46	901.0842	Tire 2,50 — 17"	1

16 REAR WHEEL, DRIVING CHAIN

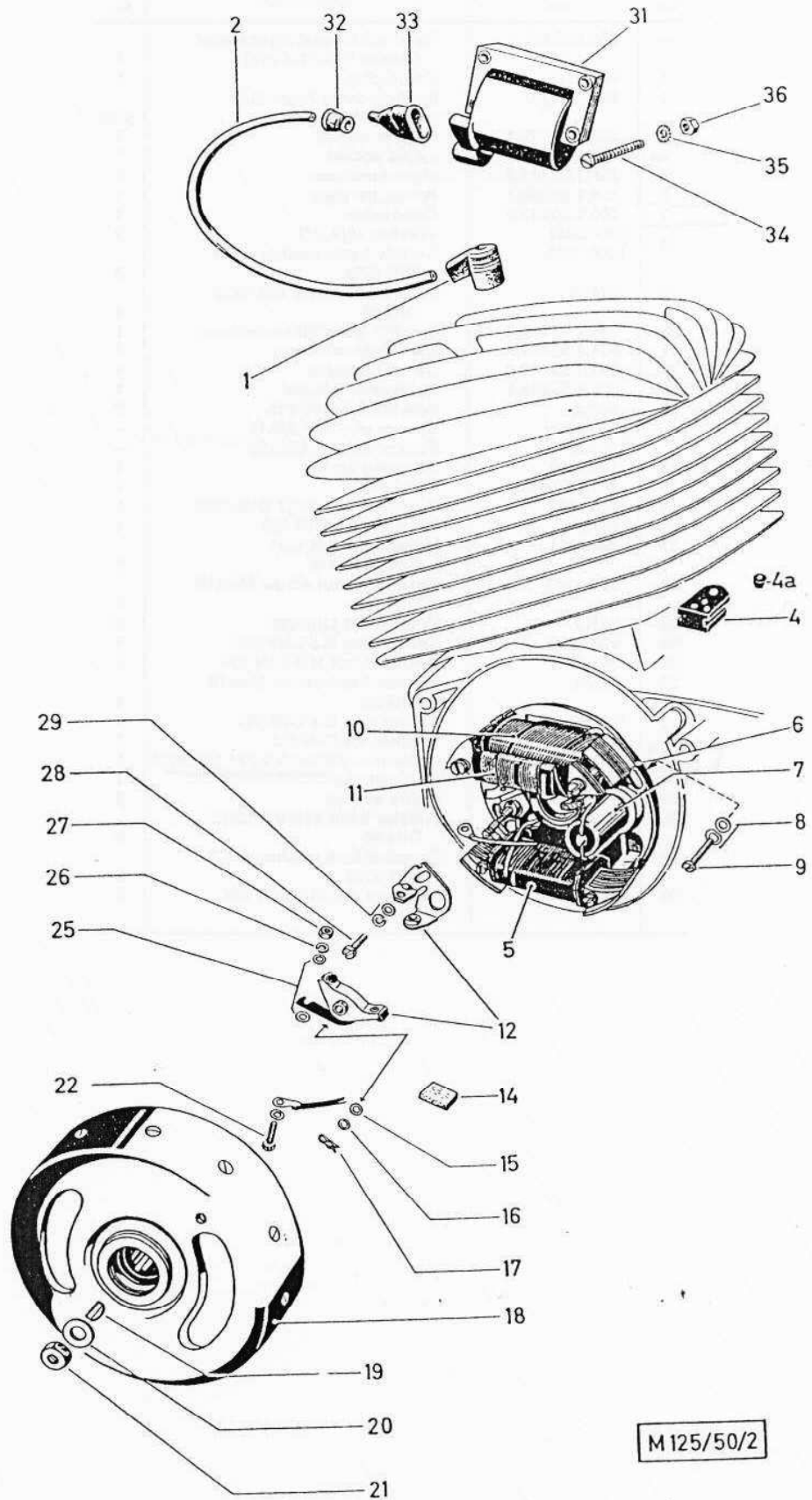


REAR WHEEL, DRIVING CHAIN

16

Ref. No.	Part No.	Description	Requid. No.
—	366.1.41.000.0	Rear wheel compl. (without tire)	1
—	366.1.41.002.0	Rear wheel full hub compl. (with interior parts and flexible coupling)	1
1	175.4103	Brake hub	1
2	250.4115	Rubber ring 55/50/3	1
3	253.4114.2	Flexible coupling	1
4	253.4119	Covering ring	1
5	253.4110	Flexible coupling fixing bolt (M 8)	6
6	900.3211	Curved washer B 8 DIN 137	6
7	900.2108	Hexagon nut M 8 DIN 555	12
8	26819	Curved washer B 8 DIN 137	6
9	253.4118	Bolt (M 8) for flexible coupling	6
10	366.1.41.008.1	Sprocket flange	1
11	366.1.41.040.1	Rear chain sprocket (40 teeth)	1
12	175.4015.0	Pair of brake shoes with lining	1
13	175.4017	Brake lining	2
14	26814	Tubular rivet 3 mm dia. x 8	16
15	175.4119	Brake shoe spring	2
16	177.4107	Brake cover plate	2
17	253.4009	Brake cam	1
18	250.4010	Seal ring 22/11/3 (rubber)	1
19	253.4111.2	Brake lever	1
20	26427	Hexagon head screw M 6x35 DIN 933	1
21	24795	Plain washer 6,4 DIN 125	1
22	26834	Spring washer B 6 DIN 127	2
23	900.2106	Hexagon nut M 6 DIN 555	1
24	900.6177	Grease nipple A 6 DIN 71412	1
26	366.1.41.020.1	Brake stop	1
27	366.1.41.043.1	Hexagon nut (M 17x1)	1
28	900.3017	Plain washer 17 DIN 125	2
29	366.1.41.022.1	Clamping shell	1
30	253.4021	Seal ring 47/29/7	1
31	900.4747	Circlip Sg 47x1,75 DIN 472	2
32	900.6005	Ball bearing 47/25/12 6005 DIN 625	1
33	900.4625	Circlip Sg 25x1,2 DIN 471	1
34	175.4021	Seal ring 40/27/6,2	2
35	175.4117	Intermediate ring	1
36	900.4740	Circlip Sg 40x1,75 DIN 472	1
37	900.6203	Ball bearing 40/17/12 6203 DIN 625	1
38	175.4124	Guide disc	2
39	175.4123	Spacer tube, 52 long	1
40	366.1.41.026.2	Rear wheel axle	1
41	366.1.41.021.2	Chain tension adjuster	2
42	900.1118	Hexagon head screw M 6x40 DIN 933	2
43	900.2106	Hexagon nut M 6 DIN 555	2
44	366.1.41.033.1	Rim 1,60—17"	1
45	366.1.41.030.1	Spoke M 4, 129 long	36
46	26669	Nipple M 4	1
47	901.0845	Chafing strip 2,50/3,00—17"	1
48	901.0844	Inner tube 3,00—17"	1
49	901.0843	Tire 3,00—17"	1
51	366.1.28.010.0	Driving chain compl. 1x12,7x6,4 x8,51 DIN 8187 112 rollers	1
52	366.1.28.020.0	Chain master link 1 E 12,7x6,4 DIN 8187	1
53	28425	Chain master link spring	1

17 GENERATOR, IGNITION COIL



M125/50/2

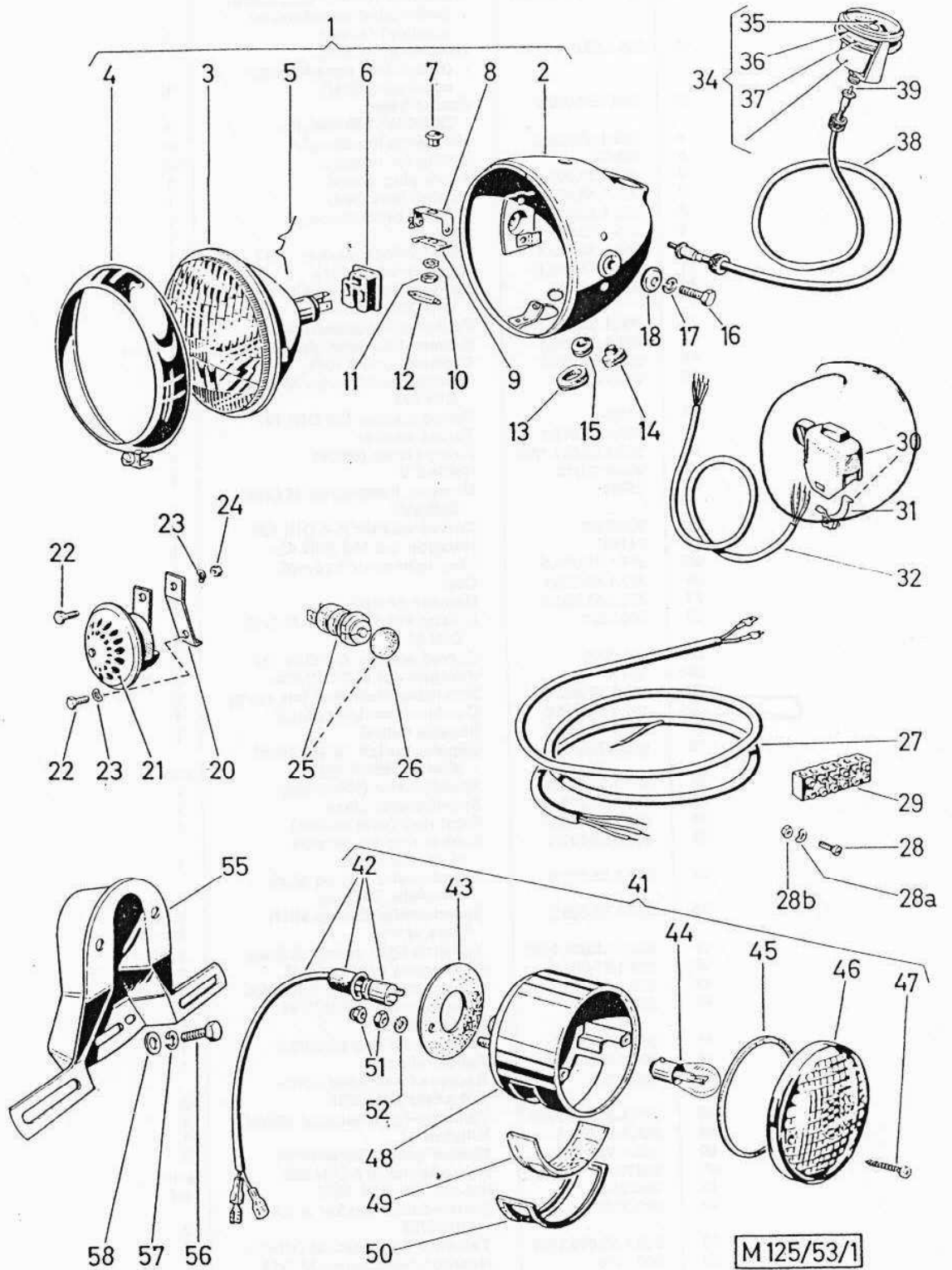
GENERATOR, IGNITION COIL

17

Ref. No.	Part No.	Description	Reqd. No.
—	366.1.50.000.0	Flywheel magneto generator (Bosch 0 212 124 012)	1
1	902.0743	Cable plug	1
2	900.0717/07	Ignition cable 7 mm dia. (210 long)	p.m.
4	352.2.10.010.1	Rubber socket	1
4a	364.1.52.601.1	Cable socket	1
5	366.1.50.011.2	Light armature	1
6	366.1.50.009.1	Armature plate	1
7	500.2.50.013.2	Condenser	1
8	900.3951	Washer 10/4, 3/1	3
	900.3253	Serrated star washer J 4,3 DIN 6798	3
9	27458	Lens head screw AM 4x15 DIN 85	3
10	366.1.50.012.2	Ignition-generator armature	1
11	364.4.50.614.2	Stop light armature	1
12	331.1.50.015.0	Set of contacts	1
14	364.4.50.618.1	Lubricator felt pad	1
15	24802	Washer 4,3 DIN 433	2
16	900.3946	Spacer shim 8/4,3/0,1)	—
	900.3946.2	Spacer shim 8/4,3/0,2)	—
17	100.5599	Securing spring	1
18	366.1.50.010.2	Flywheel	1
19	900.4503	Woodruff key 3x3,7 DIN 6888	1
20	22792	Washer 10,5 DIN 125	1
21	900.2011	Hexagon nut M 10x1 DIN 934—8 G	1
22	900.1133	Hexagon head screw M 3x10 DIN 933	1
25	24792	Washer 3,2 DIN 125	3
26	900.3203	Spring ring B 3 DIN 127	1
27	24770	Hexagon nut M 3 DIN 934	1
28	28881	Fillister head screw M 4x10 DIN 84	1
29	22796	Spring ring B 4 DIN 127	1
	24793	Washer 4,3 DIN 125	1
31	902.0742	Ignition coil (Bosch 0 221 500 800)	1
32	700.1.09.006.1	Cable socket	1
33	902.0745	Cable socket	2
34	18156	Fillister head screw M 5x25 DIN 84	2
35	900.3255	Serrated lock washer A 5,3 DIN 6798	2
36	24772	Hexagon nut M 5 DIN 934	2

18

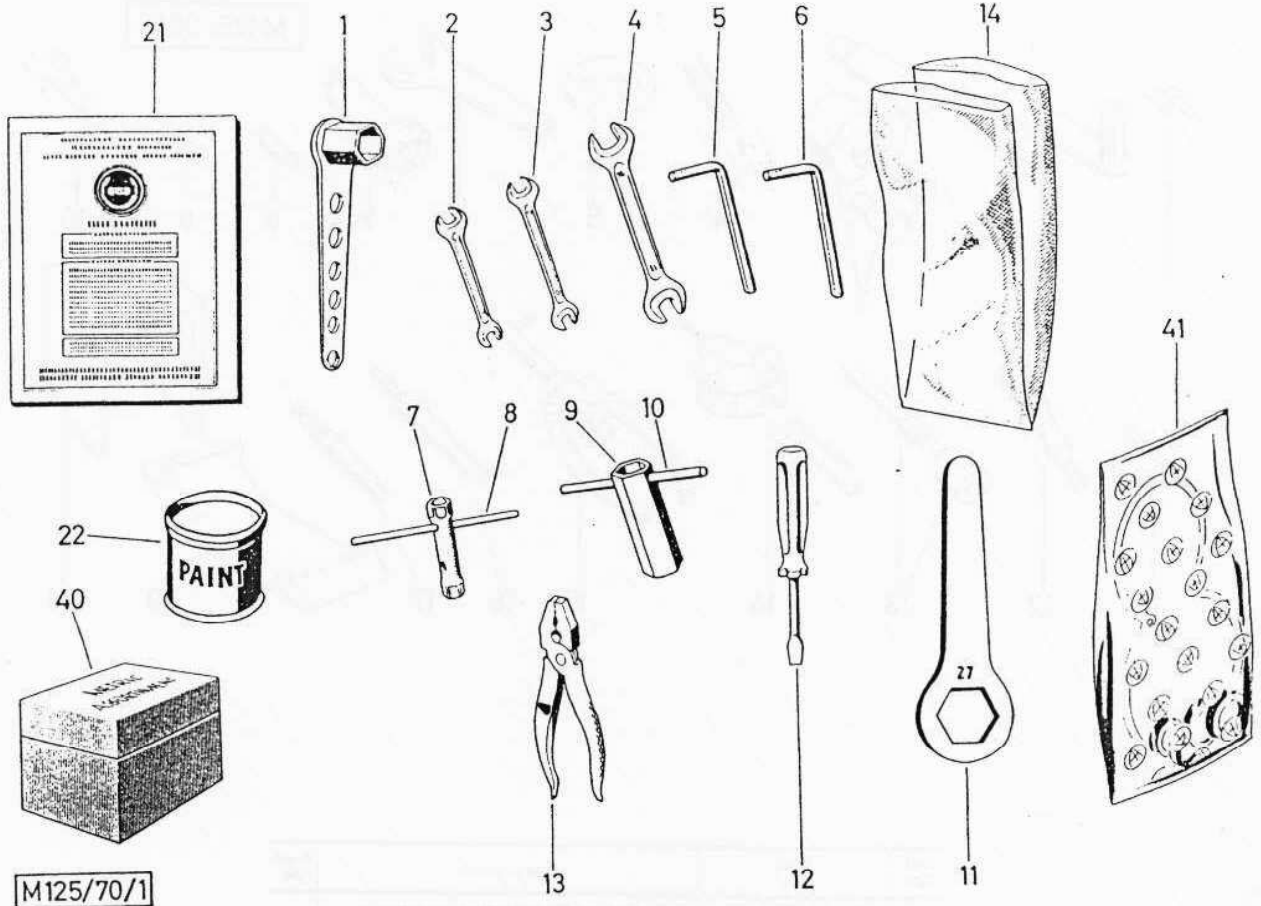
HEADLAMP, RATTLE, SPEEDOMETER, TAIL-STOP-LIGHT AND SWITCH



SEARS LIGHT WEIGHT MOTOR CYCLE — MODEL 810.89581
**HEADLAMP, RATTLE, SPEEDOMETER, TAIL-STOP-
 LIGHT AND SWITCH**

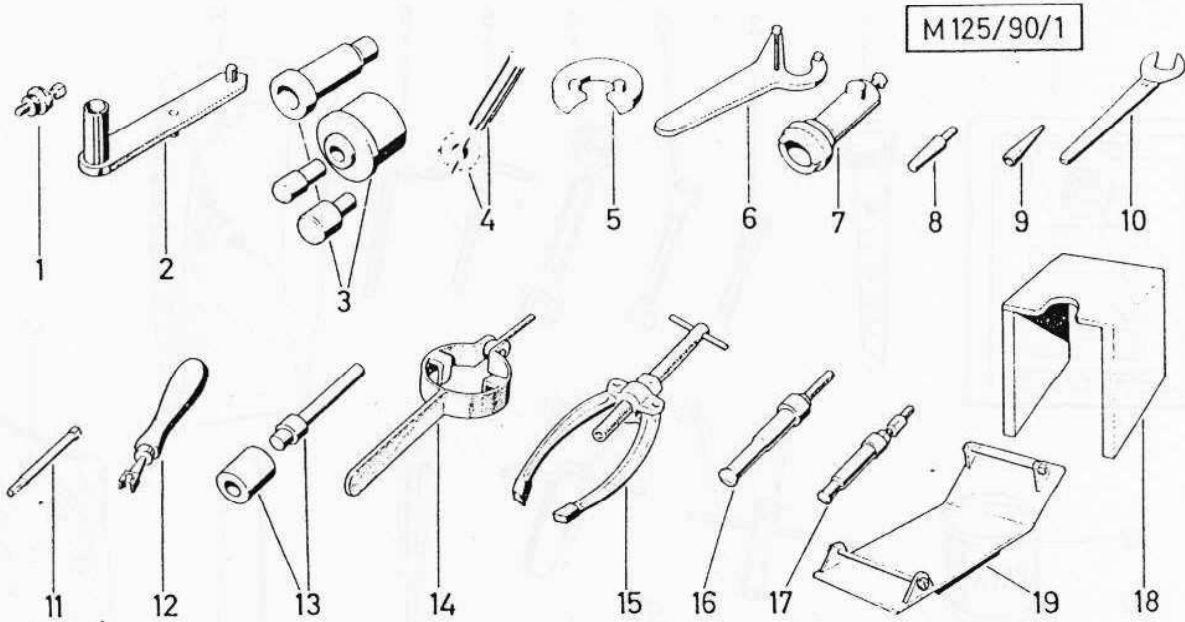
18

Ref. No.	Part No.	Description	Requd. No.
1	366.1.53.000.0/90	Headlamp 130 mm dia., compl. (with round speedometer opening) (silver)	1
2	366.1.53.001.2/90	Headlamp housing (with round speedometer opening) (silver)	1
3	366.1.53.002.2	Sealed beam (30/30 W) 130 mm dia.	1
4	366.1.53.003.0	Headlamp rim compl.	1
5	28500	Spring for reflector	10
6	366.1.53.006.0	Triple plug compl.	1
7	366.1.53.007.2	Control lens (red)	1
8	366.1.53.008.0	Contact bracket compl.	1
9	366.1.53.009.1	Shim	1
10	366.1.53.010.1	Serrated lock washer 11/17	1
11	366.1.53.011.1	Hexagon nut (M 11)	1
12	902.0746	Fastoon bulb 6 V, 0,6 W DIN 72601, form M	1
13	366.1.53.013.1	Grommet for speedometer	1
14	366.1.53.014.1	Grommet for light circuit cable	1
15	366.1.53.015.1	Grommet (blind lock)	1
16	900.1104	Hexagon head screw M 8x25 DIN 933	2
17	26819	Spring washer B 8 DIN 127	2
18	366.1.53.018.1	Thrust washer	2
20	366.1.56.001.1/60	Fixing clamp (black)	1
21	900.0727/10	Rattle 6 V	1
22	25399	Hexagon head screw M 6x10 DIN 933	2
23	900.3212	Curved washer A 6 DIN 137	2
24	24773	Hexagon nut M 6 DIN 934	1
25	357.1.55.020.0	Stop-light-switch compl.	1
26	357.1.55.025.1	Cap	1
27	366.1.57.000.0	Harness compl.	1
28	900.1302	Fillister head screw AM 3x15 DIN 84	2
28a	900.3206	Curved washer A 3 DIN 137	2
28b	24770	Hexagon nut M 3 DIN 934	2
29	103.1.57.003.0	Soft rubber terminal (six rows)	2
30	357.1.53.017.0	Combined switch compl.	1
31	357.1.53.018.0	Shackle compl.	1
32	900.0736/07	Dimmer switch cable compl. (6 wires, 850 long)	p.m.
34	366.1.53.024.0	Speedometer (100 miles)	1
35	367.1.53.222.1	Speedometer glass	1
36	367.1.53.223.2	Front ring (with rubber)	1
37	367.1.53.227.1	Rubber ring for outside of speedometer	1
38	367.1.53.025.0	Speedometer driving shaft complete, 735 long	1
39	360.1.53.025.2	Speedometer driving shaft (core alone)	1
41	366.1.55.001.0/90	Tail-stop-light compl. (silver)	1
42	366.1.55.002.9	Connecting cable compl.	1
43	366.1.55.003.1	Rubber support 67/29 mm dia.	1
44	902.0711	Twin filament 6 V 18/5 W DIN 72601	1
45	366.1.55.005.1	Rubber seal ring 88/80/3,5	1
46	366.1.55.006.1	Reflex reflector	1
47	900.9628	Recessed pan head screw B 3,5x22 DIN 7981	2
48	366.1.55.008.2/90	Tail-stop-light-housing (silver)	1
49	366.1.55.009.1	Window	1
50	366.1.55.010.1	Rubber gasket for window	1
51	24773	Hexagon nut M 6 DIN 934	1
or	900.2933	Hat nut M6 DIN 1587	1
52	900.3267	Serrated lock washer A 6,4 DIN 6798	2
55	366.1.55.015.1/90	Tail-stop-light bracket (silver)	1
56	900.1110	Hexagon head screw M 7x12 DIN 933	2
57	29189	Spring washer B 7 DIN 127	2
58	24796	Plain washer 7,4 DIN 125	2



M125/70/1

Ref. No.	Part No.	Description	Requ. No.
—	366.1.70.010.0	Set of tools compl.	1
1	175.7001.2	Socket wrench for spark plug	1
2	10181	Wrench 8/10 DIN 895	1
3	24324	Wrench 9/11 DIN 895	1
4	900.7011	Wrench 13/15 DIN 895	1
5	900.7014	Socket wrench 5 DIN 911	1
6	900.7016	Socket wrench 6 DIN 911	1
7	350.1.70.008.1	Socket wrench 10/11	1
8	050.7022	Pin 6 mm dia. 115 long	1
9	900.7017	Socket wrench 19	1
10	21383	Pin 8 mm dia., 170 long	1
11	250.7009	Spanner for plug of fork tube	1
12	900.7015	Screw driver	1
13	21008	Combination pliers	1
14	330.1.70.003.1	Tool bag	1
21	366.0.00.670.1	Service manual (parts list)	1
	900.0212/10	Touch-up paint, poppy-red (RAL 3002) (0,276 lbs)	as requd.
22	900.0261/10	Touch-up paint, silver (RAL 9006) (0,276 lbs)	
40	810.000	Metric assortment (nut, bolt and screw assortment) not included	as requd.
41	366.1.10.010.0	Set of gaskets compl.	as requd.



Ref. No.	Part No.	Description	Requ. No.
1	050.7012	Extractor (for flywheel magneto generator)	1
2	905.6.36.103.2	Detent	1
3	905.1.33.102.0	Extracting and pressing on tool for crankshaft bearing and seal ring	1
4	250.7011.2	Dismantling ring (to push out crankshaft bearing, l. h. s.)	1
5	905.6.36.102.1	Holder (for large driving pinion)	1
6	905.0.36.101.2	Sprocket holder	1
7	905.1.34.101.0	Extractor (for crankshaft spacer)	1
8	905.1.34.102.1	Pin for piston bolt	1
9	905.6.34.301.1	Mounting tool (rubber seal, spring type shock absorber)	1
10	905.0.35.001.1	Single-ended spanner (for sealing screw on damping cylinder)	1
11	905.1.35.101.1	Socket wrench for fastening cylinder	1
12	905.1.35.401.2	Spoke spanner	1
13	905.1.33.501.0	Extracting and pressing on tool for front wheel	1
14	905.6.31.105.0	Clutch expander	1
15	905.0.14.002.0	"Kukko" supporting tool	1
16	905.1.24.401.0	"Kukko" Puller, inserting for rear wheel hub	1
17	905.0.14.006.0	"Kukko" puller insert for gear-box bearing with threadet reduction piece	1
18	905.1.33.103.2	Supporting table	1
19	905.1.31.101.2	Engine repair stand	1